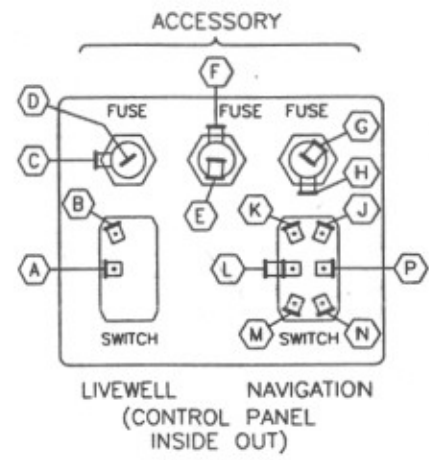
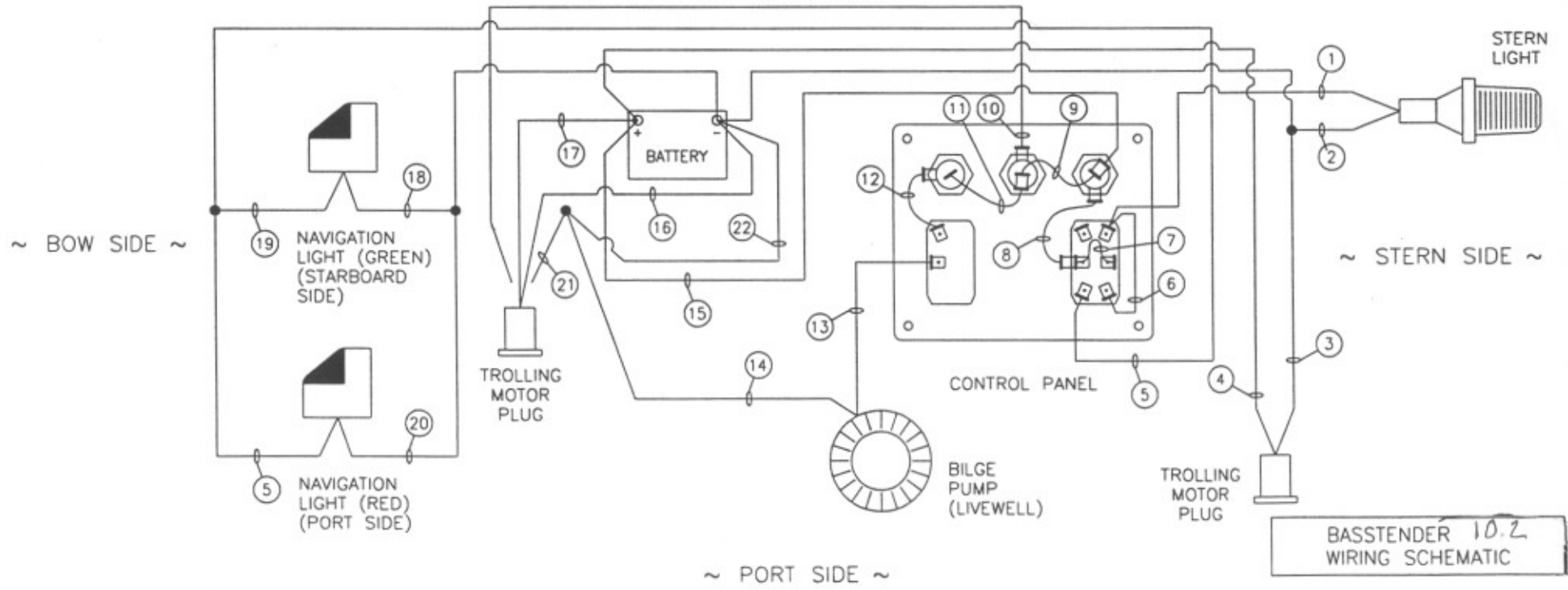


ITEM	WIRE COLOR	GAGE	ELECTRICAL CONNECTIONS	
			FROM	TO
1	GRAY	16	BATTERY POSITIVE	NAVIGATION LIGHT SWITCH (LETTER H)
2	BLACK	16	BATTERY NEGATIVE	TROLLING MOTOR PLUG NEGATIVE
3	BLACK	8	TROLLING MOTOR PLUG NEGATIVE - STERN	BATTERY NEGATIVE
4	RED	8	TROLLING MOTOR PLUG POSITIVE - STERN	BATTERY POSITIVE
5	GRAY	16	NAVIGATION LIGHT SWITCH (LETTER M)	NAVIGATION LIGHT - PORT SIDE
6	GRAY	16	JUMPER NAVIGATION LIGHT SWITCH (LETTER N)	NAVIGATION LIGHT SWITCH (LETTER J)
7	RED	16	JUMPER NAVIGATION LIGHT SWITCH (LETTER P)	NAVIGATION LIGHT SWITCH (LETTER L)
8	RED	16	NAVIGATION LIGHT SWITCH POSITIVE (LETTER L)	NAVIGATION LIGHT FUSE (LETTER H)
9	RED	16	NAVIGATION LIGHT FUSE POSITIVE (LETTER G)	ACCESSORY FUSE (LETTER E)
10	ORANGE	16	ACCESSORY FUSE (LETTER F)	TROLLING MOTOR WIRE - BOW (NO CONNECTION)
11	RED	16	ACCESSORY FUSE POSITIVE (LETTER E)	LIVEWELL PUMP FUSE (LETTER D)
12	BROWN	16	LIVEWELL PUMP FUSE POSITIVE (LETTER C)	LIVEWELL PUMP SWITCH (LETTER B)
13	BROWN	16	LIVEWELL PUMP SWITCH (LETTER A)	LIVEWELL PUMP POSITIVE
14	BLACK	16	LIVEWELL PUMP NEGATIVE	BUTT CONNECTOR
15	RED	16	BATTERY POSITIVE	NAVIGATION LIGHT FUSE (LETTER G)
16	BLACK	8	BATTERY NEGATIVE	TROLLING MOTOR PLUG NEGATIVE - BOW
17	RED	8	BATTERY POSITIVE	TROLLING MOTOR PLUG POSITIVE - BOW
18	BLACK	16	STARBOARD NAVIGATION BOW LIGHT NEGATIVE	BATTERY NEGATIVE
19	GRAY	16	STARBOARD NAVIGATION BOW LIGHT POSITIVE	NAVIGATION LIGHT SWITCH
20	BLACK	16	PORT NAVIGATION BOW LIGHT NEGATIVE	NAVIGATION LIGHT NEGATIVE STARBOARD BOW
21	BLACK	16	ACCESSORY WIRE (NO CONNECTION)	BUTT CONNECTOR
22	BLACK	16	BATTERY NEGATIVE	BUTT CONNECTOR



~ STARBOARD SIDE ~



~ PORT SIDE ~

BASSTENDER 10.2  
WIRING SCHEMATIC